

V-1100	
TEST SEPARATOR	
SIZE	= SEE DATA SHEET
DESIGN PRESSURE	= - PSI
DESIGN TEMP.	= - °F
OPER. PRESSURE	= 90 PSI
OPER. TEMP.	= 170 °F

V-1101	
1st STAGE SEPARATOR	
SIZE	= SEE DATA SHEET
DESIGN PRESSURE	= - PSI
DESIGN TEMP.	= - °F
OPER. PRESSURE	= 90 PSI
OPER. TEMP.	= 170 °F

X-1101	
CRUDE COOLER	
DUTY	= 2.75 MM BTU/HR
OPR. PRESS.	= 50 PSI
OPR. TEMP.	= 170 °F
FACE AREA	= 300
DRIVER H.P.	= 3 EA
DRIVER	= ELECTRIC MOTOR

V-1102	
2nd STAGE SEPARATOR	
SIZE	= SEE DATA SHEET
DESIGN PRESSURE	= - PSI
DESIGN TEMP.	= - °F
OPER. PRESSURE	= 15 PSI
OPER. TEMP.	= 180 °F

V-1103	
EMULSION TREATER	
SIZE	= SEE DATA SHEET
DESIGN PRESSURE	= - PSI
DESIGN TEMP.	= - °F
OPER. PRESSURE	= 15 PSI
OPER. TEMP.	= 180 °F

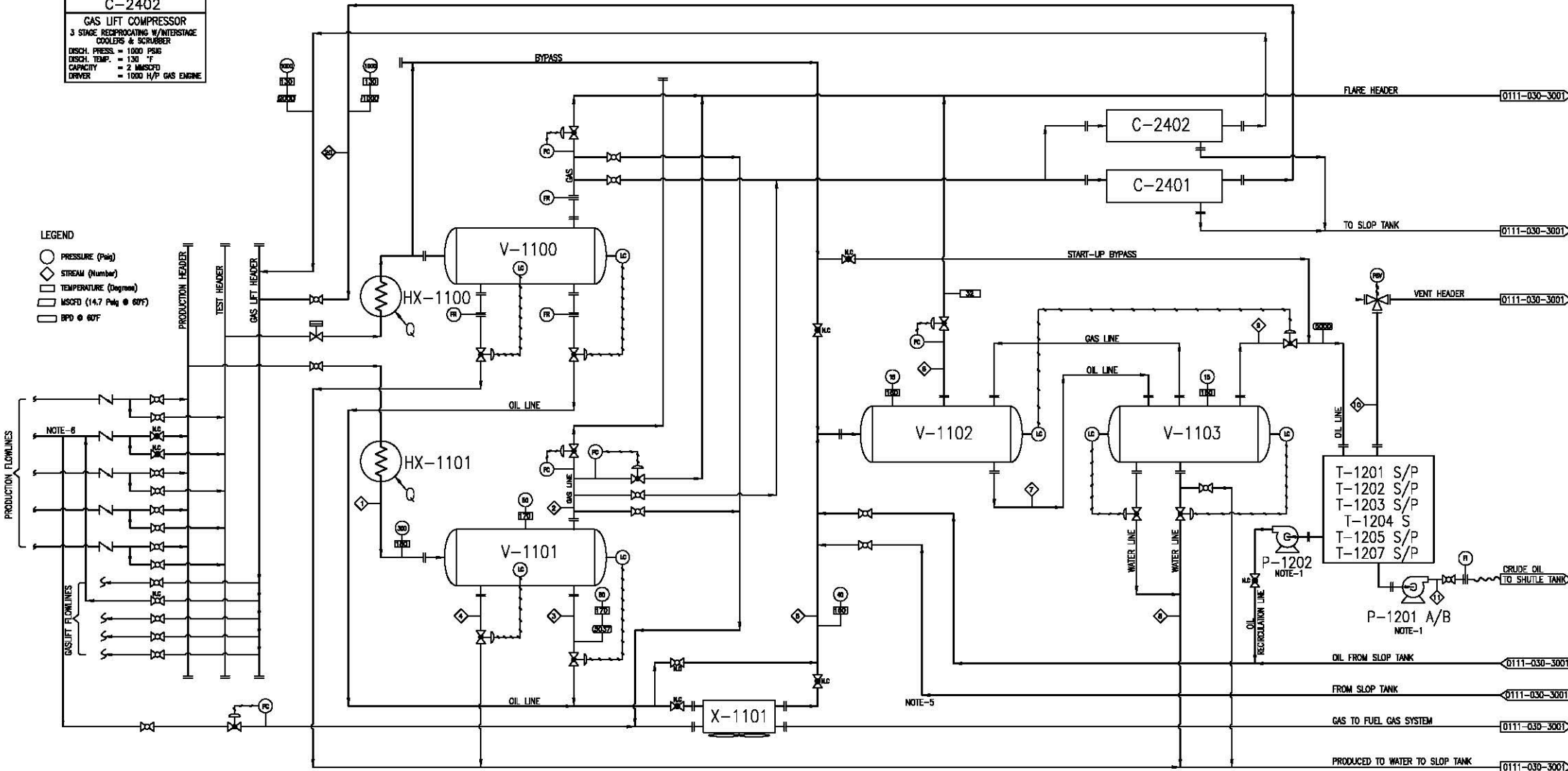
C-2401	
GAS LIFT COMPRESSOR	
3 STAGE RECIPROCATING W/INTERSTAGE COOLERS & SCRUBBER	
DISCH. PRESS.	= 1000 PSIG
DISCH. TEMP.	= 130 °F
CAPACITY	= 1 MMSCFD
DRIVER	= 22.6 HP DIESEL ENGINE

P-1202	
RECIRCULATION PUMP	
CAPACITY	= 100 USGPM
ΔP	= 40 PSIG
P/W/HP	= 4/S
DRIVER	= ELECTRIC MOTOR

TANK	
CRUDE STORAGE TANK	
T-1201 S/P	T-1204 S/P
T-1202 S/P	T-1205 S/P
T-1203 S/P	T-1207 S/P
CAPACITY = 53,000 BBL (TOTAL)	

P-1201 A&B	
MOL. PUMP	
CAPACITY	= 282 USGPM
DISCH. PRESSURE	= 53.6 PSIG
FLUID DENSITY AT PT	= 53.8 LB/FT ³
VISCOSITY	= 15 CP

C-2402	
GAS LIFT COMPRESSOR	
3 STAGE RECIPROCATING W/INTERSTAGE COOLERS & SCRUBBER	
DISCH. PRESS.	= 1000 PSIG
DISCH. TEMP.	= 130 °F
CAPACITY	= 2 MMSCFD
DRIVER	= 1000 H/P GAS ENGINE



P-1302
SLOP OIL PUMP
 CAPACITY 100 % USGPM
 Δ P = 25 PSI
 PHP / MHP = 5.4/7.5
 DRIVER = ELECTRIC MOTOR

T-1301 P & S
SLOP TANK
 [2 INTERCONNECTED TANKS IN BARGE HOLD]
 TOTAL CAPACITY = 12,800 BBL

P-1301 A & B
PRODUCED WATER PUMP
 CAPACITY = 150 USGPM
 Δ P = 25 PSI
 PHP / MHP = 5.2/7.5
 DRIVER = ELECTRIC MOTOR

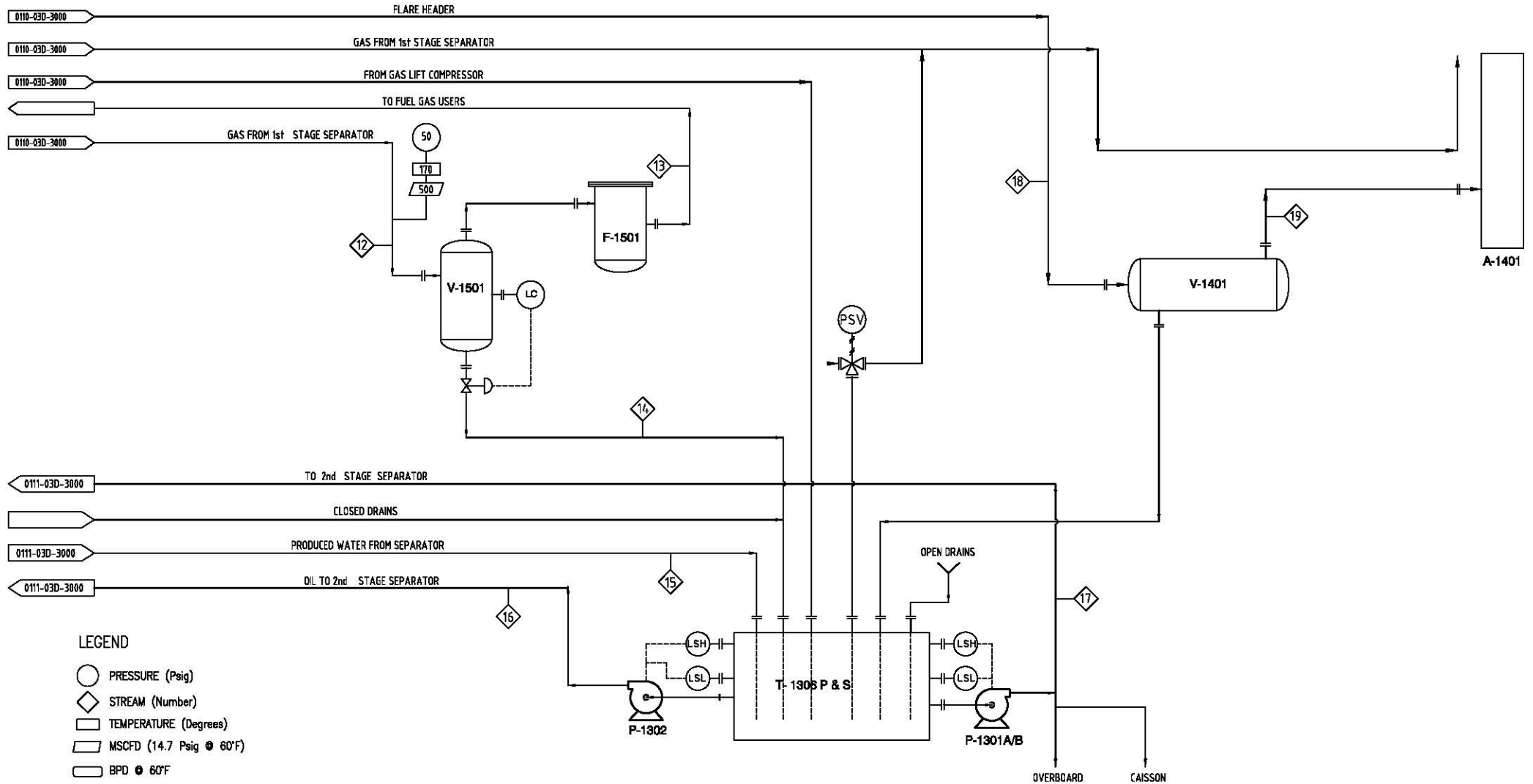
F-1501
FUEL GAS FILTER
 PARTICLE REMOVAL = 95% OF
 CAPACITY = 1 MMSCFD
 OPERATING PRESS / TEMP = 50 PSIG / 170 °F

V-1501
FUEL GAS SCRUBBER
 SIZE = 2'-0" X 4'-0" S/S
 OPERATING PRESS / TEMP = 50 PSIG / 170 °F

V-1401
FLARE SCRUBBER
 SIZE = 6'-0" X 20'-0" S/S
 OPERATING PRESS / TEMP = 5 PSIG / 170 °F

V-1402
VENT SCRUBBER
 SIZE = 2'-0" X 8'-0"
 OPERATING PRESS / TEMP = 5 PSIG / 170 °F

A-1401
FLARE PACKAGE
 CAPACITY = 10 MMSCFD MAX.
 CONTINUOUS RATE



LEGEND

- PRESSURE (Psig)
- ◇ STREAM (Number)
- TEMPERATURE (Degrees)
- ▭ MSCFD (14.7 Psig @ 60°F)
- ▭ BPD @ 60°F